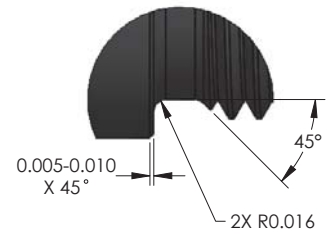


DETAIL A
SCALE 8 : 1



NOTES:

- 1) CZ-75 AND BROWNING HI-POWER BARRELS ARE RIGHT AT 0.500 DIAMETER. THESE BARRELS MUST BE THREADED SO THAT THEY INDEX ON THE MUZZLE.
2. **DO NOT USE THIS GUIDE FOR A BERETTA 92/M9.** THE BARREL DOES NOT MEET THE 0.56 MINIMUM PROTRUSION CRITERIA. SEE SHEET 3 FOR BERETTA 92/M9.
3. THIS THREAD PROFILE CAN SHOULDER AGAINST THE MUZZLE FACE OR BEHIND THE THREADS.

Advanced Armament Corp.
2408 TECH CENTER PARKWAY, SUITE 150
LAWRENCEVILLE, GA 30043 • 770-925-9988
WWW.ADVANCED-ARMAMENT.COM



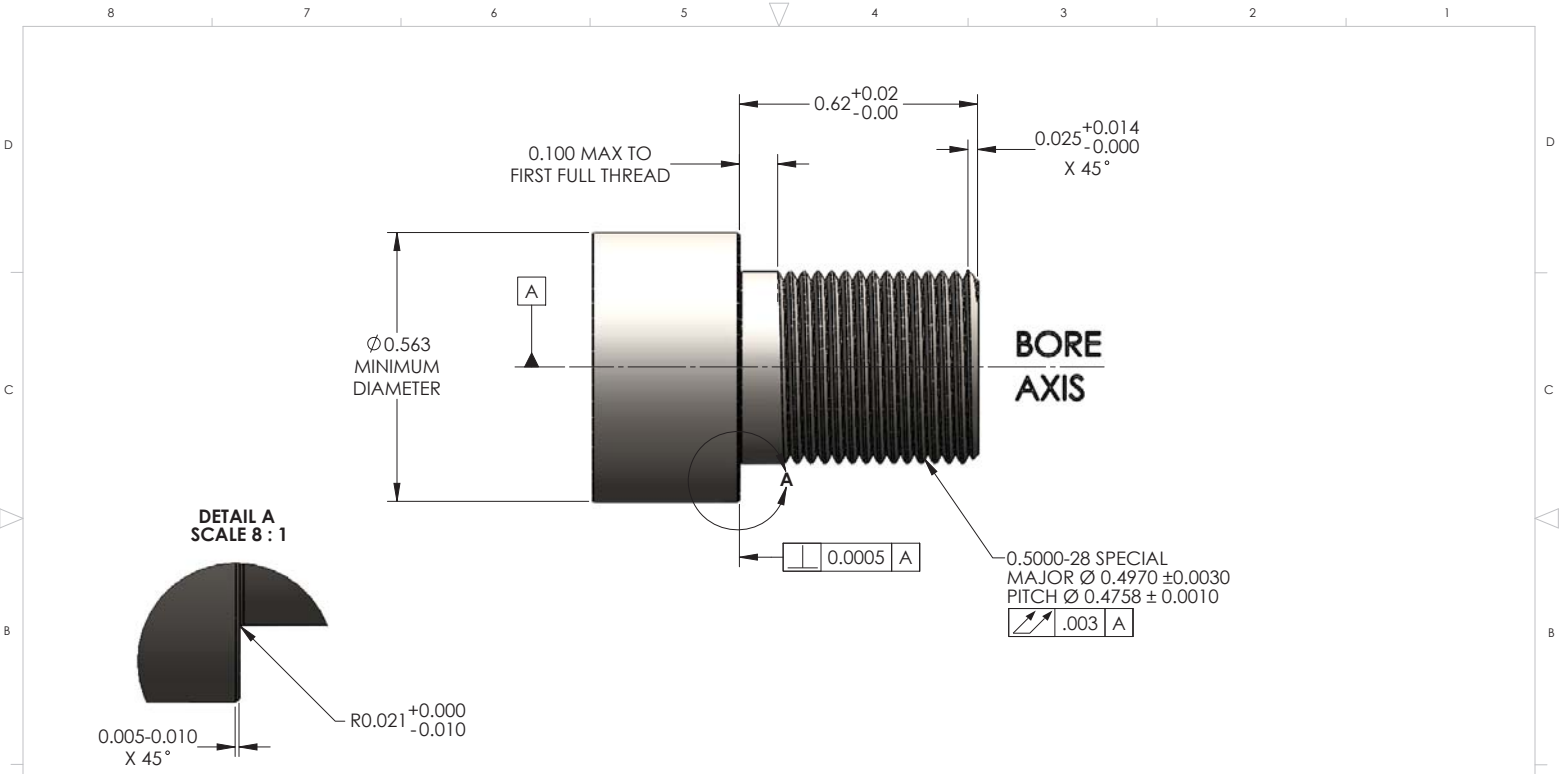
PROPRIETARY AND CONFIDENTIAL
THE INFORMATION CONTAINED IN THIS DRAWING IS THE SOLE PROPERTY OF ADVANCED ARMAMENT CORPORATION. ANY REPRODUCTION IN PART OR AS A WHOLE WITHOUT THE WRITTEN PERMISSION OF ADVANCED ARMAMENT CORPORATION IS PROHIBITED.

GENERAL SPECIFICATION FOR SMALL ARMS AND AIRCRAFT ARMAMENT SUBSYSTEMS (MIL-W-13885) APPLIES. ASME Y14.5M-1994 APPLIES.

UNLESS OTHERWISE SPECIFIED DIMENSIONS ARE IN INCHES
.X ±0.1 ANGLES ±0.5°
.XX ±0.01 FILLET RADI 0.005-0.010
.XXX ±0.005 BREAK EDGE 0.005-0.010
.XXXX ±0.0005 SURFACE FINISH ✓

SIZE: "B"
SCALE: 4:1
DRAWN: MLS
DATE: 03/13

TITLE: 1/2-28 SPECIAL THREAD FOR RIMFIRE AND CENTERFIRE PISTOL CALIBER APPLICATIONS
PART NO.: THREAD GUIDE REV: 01 SHEET: 2 OF 19



NOTES:
 1) THIS THREAD GUIDE DETAILS A SPECIAL 1/2-28 THREAD FOR 5.56mm/.223 BARRELS. THE THREAD IS DESIGNED TO PROVIDE A BETTER FIT WITH THE 1/2-28-UNEF-3B THREADS IN THE RANGER SILENCER THAN AN INDUSTRY STANDARD CLASS-2B THREAD.

Advanced Armament Corp.
 2408 TECH CENTER PARKWAY, SUITE 150
 LAWRENCEVILLE, GA 30043 - 770-925-9988
 WWW.ADVANCED-ARMAMENT.COM



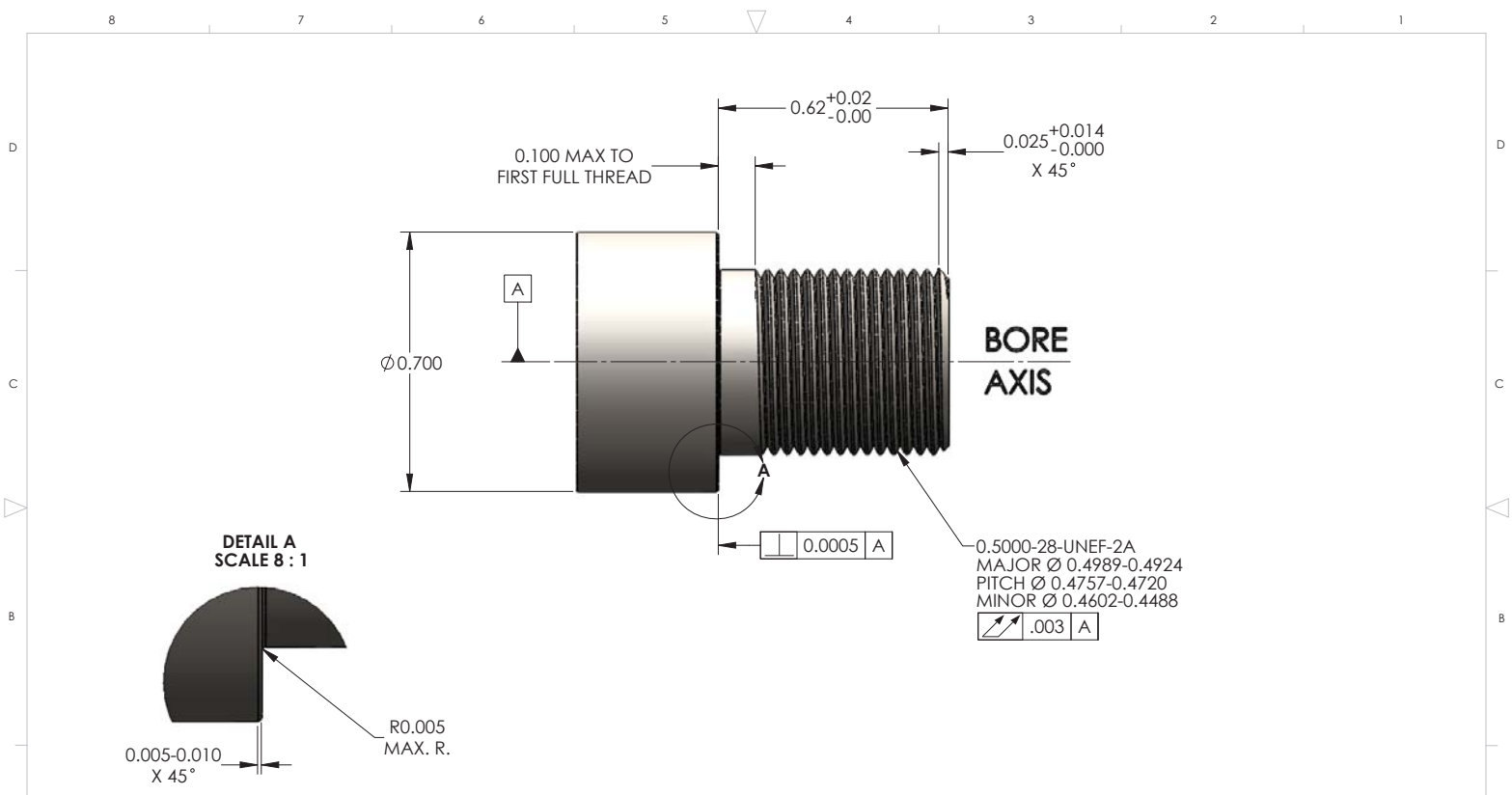
PROPRIETARY AND CONFIDENTIAL
 THE INFORMATION CONTAINED IN THIS DRAWING IS THE SOLE PROPERTY OF ADVANCED ARMAMENT CORPORATION. ANY REPRODUCTION IN PART OR AS A WHOLE WITHOUT THE WRITTEN PERMISSION OF ADVANCED ARMAMENT CORPORATION IS PROHIBITED.

GENERAL SPECIFICATION FOR SMALL ARMS AND AIRCRAFT ARMAMENT SUBSYSTEMS (MIL-W-18855) APPLIES. ASME Y14.5M-1994 APPLIES.

UNLESS OTHERWISE SPECIFIED DIMENSIONS ARE IN INCHES
 ANGLES ±0.5°
 FILLET RADI 0.005-0.010
 BREAK EDGE 0.005-0.010
 SURFACE FINISH ✓

SIZE: "B"
 SCALE: 4:1
 DRAWN: MLS
 DATE: 03/13

TITLE: 1/2-28 SPECIAL THREAD FOR RANGER SILENCER WITH 1/2-28-UNEF-3B THREADS
 PART NO.: THREAD GUIDE
 REV: 01
 SHEET: 4 OF 19



NOTES:

1) THIS THREAD GUIDE DETAILS A BARREL MUZZLE PROFILE WITH 1/2-28-UNEF-2A THREADS AS FOUND ON M4 STYLE RIFLES. THIS THREAD PROFILE IS COMPATIBLE WITH ALL AAC MUZZLE DEVICES.

Advanced Armament Corp.
 2408 TECH CENTER PARKWAY, SUITE 150
 LAWRENCEVILLE, GA 30043 • 770-925-9988
 WWW.ADVANCED-ARMAMENT.COM



PROPRIETARY AND CONFIDENTIAL
 THE INFORMATION CONTAINED IN THIS DRAWING IS THE SOLE PROPERTY OF ADVANCED ARMAMENT CORPORATION. ANY REPRODUCTION IN PART OR AS A WHOLE WITHOUT THE WRITTEN PERMISSION OF ADVANCED ARMAMENT CORPORATION IS PROHIBITED.

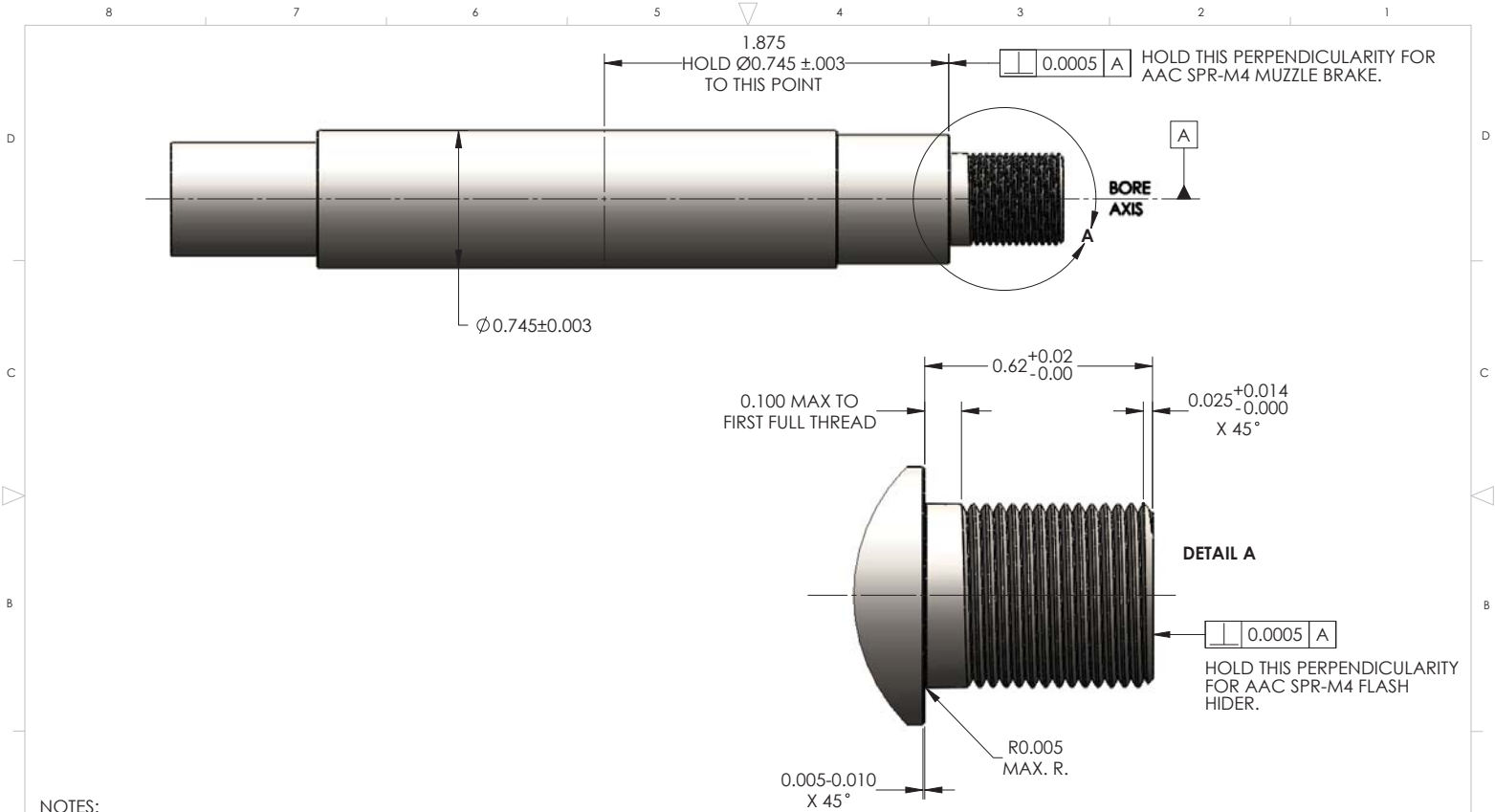
GENERAL SPECIFICATION FOR SMALL ARMS AND AIRCRAFT ARMAMENT SUBSYSTEMS (MIL-W-13885) APPLIES. ASME Y14.5M-1994 APPLIES.

UNLESS OTHERWISE SPECIFIED DIMENSIONS ARE IN INCHES
 .X ±0.1 ANGLES ±0.5°
 .XX ±0.01 FILLET RADI 0.005-0.010
 .XXX ±0.005 BREAK EDGE 0.005-0.010
 .XXXX ±0.0005 SURFACE FINISH ✓

SIZE: "B"
 SCALE: 4:1
 DRAWN BY: MLS
 DATE: 03/13

TITLE: 1/2-28-UNEF-2A THREADS (M4 BARREL PROFILE) FOR USE WITH AAC MUZZLE DEVICES

PART NO.:	REV:	SHEET:
THREAD GUIDE	01	5 OF 19



NOTES:

- 1) THIS THREAD GUIDE DETAILS A BARREL MUZZLE PROFILE WITH 1/2-28-UNEF-2A THREADS AS FOUND ON M4 STYLE RIFLES. THIS THREAD PROFILE IS COMPATIBLE WITH ALL AAC SPR-M4 MUZZLE DEVICES.

Advanced Armament Corp.
 2408 TECH CENTER PARKWAY, SUITE 150
 LAWRENCEVILLE, GA 30043 • 770-925-9988
 WWW.ADVANCED-ARMAMENT.COM



PROPRIETARY AND CONFIDENTIAL
 THE INFORMATION CONTAINED IN THIS DRAWING IS THE SOLE PROPERTY OF ADVANCED ARMAMENT CORPORATION. ANY REPRODUCTION IN PART OR AS A WHOLE WITHOUT THE WRITTEN PERMISSION OF ADVANCED ARMAMENT CORPORATION IS PROHIBITED.

GENERAL SPECIFICATION FOR SMALL ARMS AND AIRCRAFT ARMAMENT SUBSYSTEMS (MIL-W-13885) APPLIES. ASME Y14.5M-1994 APPLIES.

UNLESS OTHERWISE SPECIFIED DIMENSIONS ARE IN INCHES
 ANGLES ±0.5°
 FILLET RADII 0.005-0.010
 BREAK EDGE 0.005-0.010
 SURFACE FINISH ✓

SIZE: "B"
 SCALE: 4:1
 DRAWN BY: MLS
 DATE: 03/13

TITLE: 1/2-28-UNEF-2A THREADS (M4 BARREL PROFILE) FOR USE WITH AAC SPR-M4 MUZZLE DEVICES
 PART NO.: **THREAD GUIDE** REV: **01** SHEET: **6 OF 19**